

GL-S Mini Lid Stay

Upward opening · Top opening

Opening Direction	Description	Non-handed	Qty	Compression Load
Upward-opening	Holds When Fully Opened	Yes	1 Unit Per Door	58.8 N/pc (6 kgf/pc)

※Can also be used for top-opening lid, depending on installation conditions. Please confirm with actual item in detail.

Features

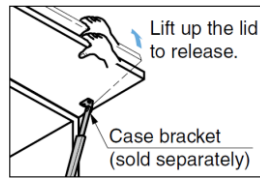
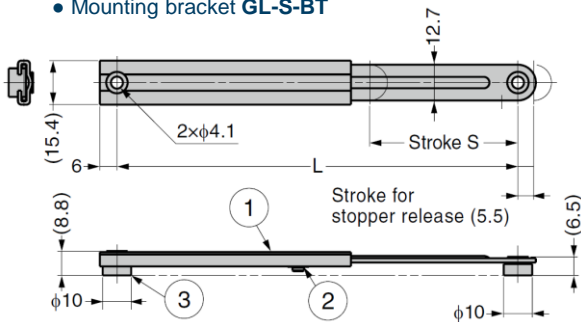
- Holds the lid in fully opened position
- Slightly lift up the lid to release stopper
- Can be installed in a small space due to compact design
- Used for opening and closing of small device or door

Notes

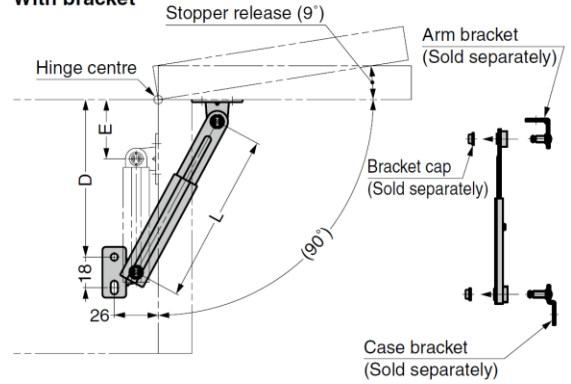
- Do not use this product as a stopper
- Allow room for stroke depending on installation location and purpose
- Securely fix the mounting screws with screw adhesive
- Use 1 pc for 1 door
- Opening angle and installation position change depending on the position of hinge centre
- Determine the installation position based on the hinges used and cabinet shape

Sold Separately

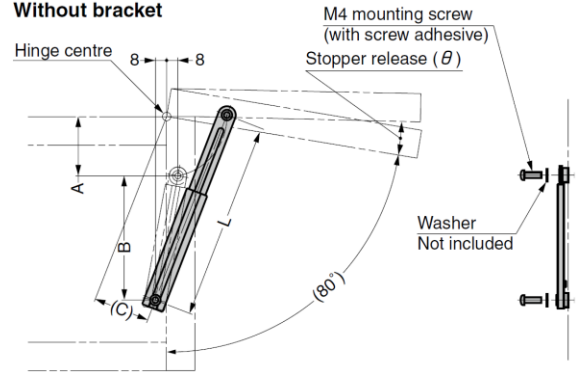
- Mounting bracket **GL-S-BT**



With bracket



Without bracket

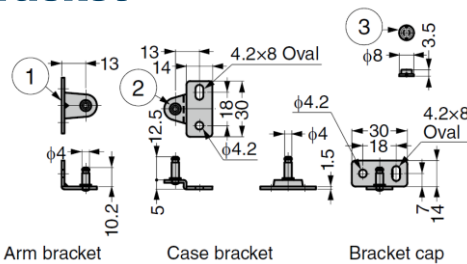


No.	Part Name	Material	Finish
①	Body	Stainless Steel (SUS304)	Barrel Polished
②	Washer	PA	-
③	Bracket	Stainless Steel (SUS303)	-

Part No.	L	S	A	B	C	D	E	θ	Compression Load
GL-100S	100	32	24	67	22.5	93	35	15°	58.8 N 6 kg
GL-140S	140	52	42	88	39.7	131	48	9°	

GL-S-BT Bracket

- Can be easily fixed by fitting the cap



Part No.
GL-S-BT

No.	Part Name	Material	Finish/Colour
①	Arm Bracket	Stainless Steel (SUS304)	Barrel Polished
②	Case Bracket		
③	Bracket Cap	POM	White